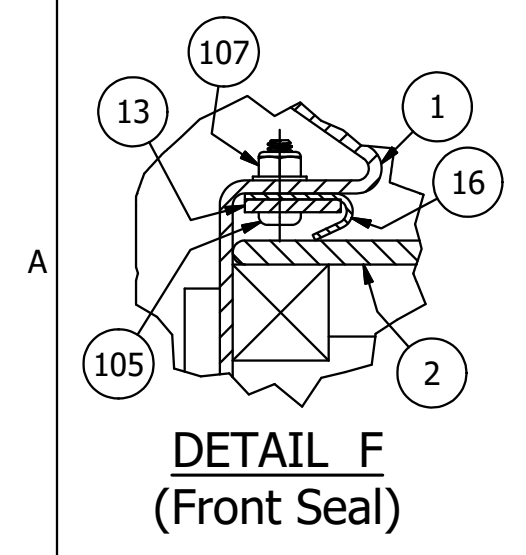
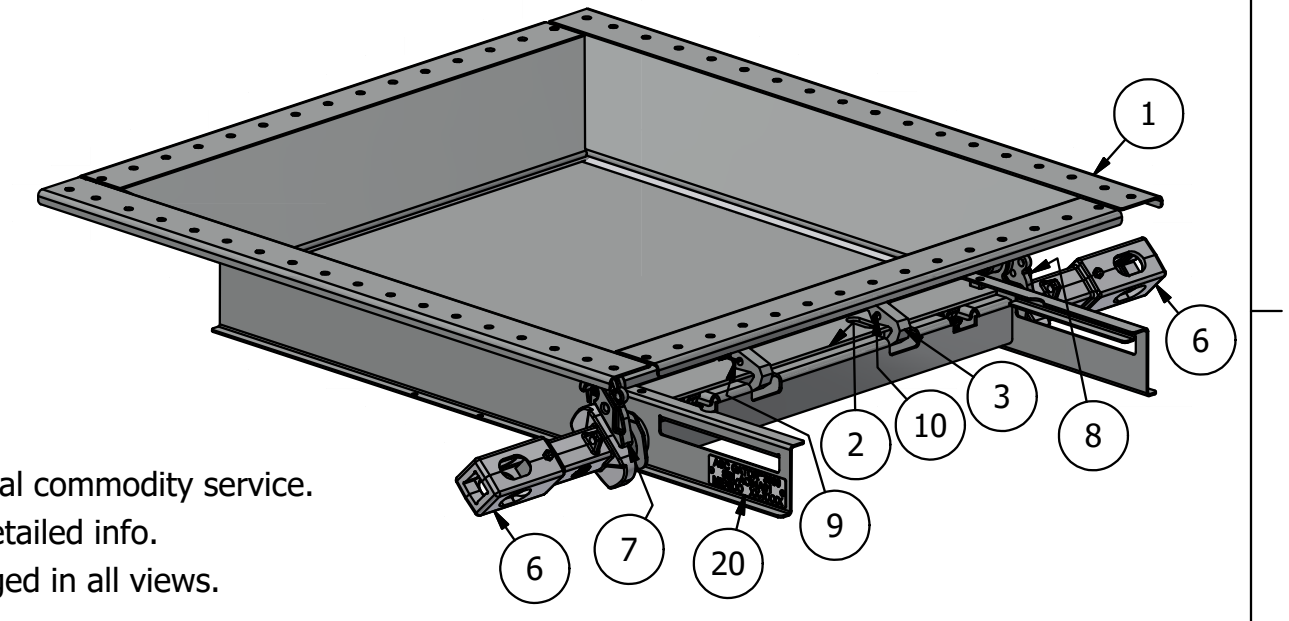
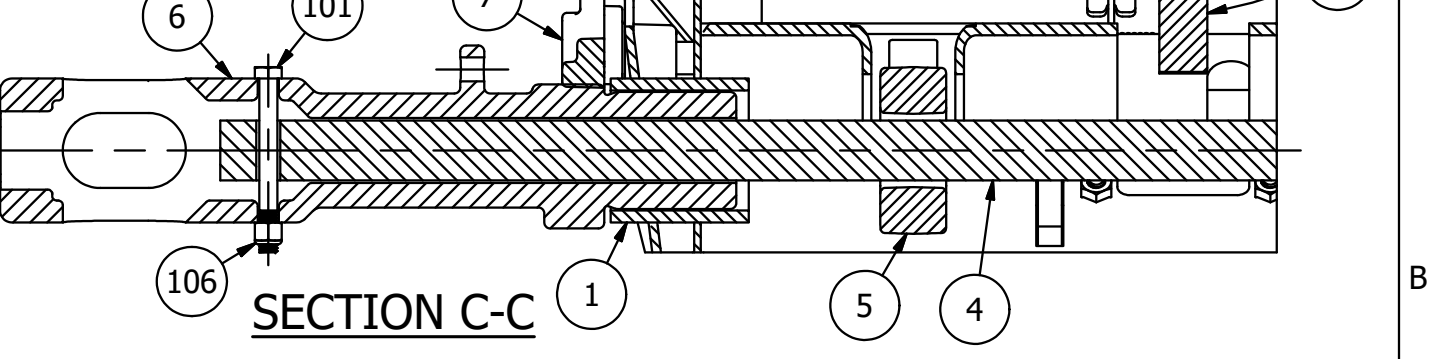
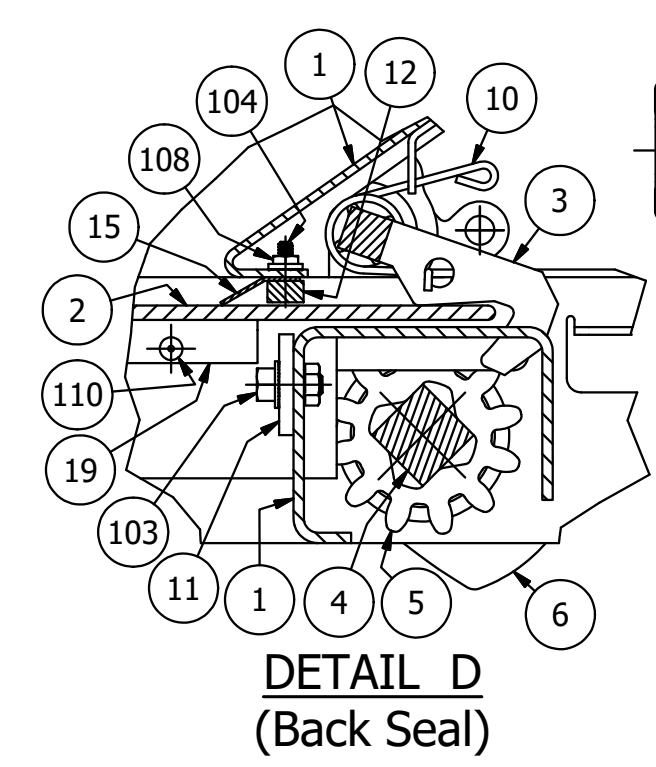
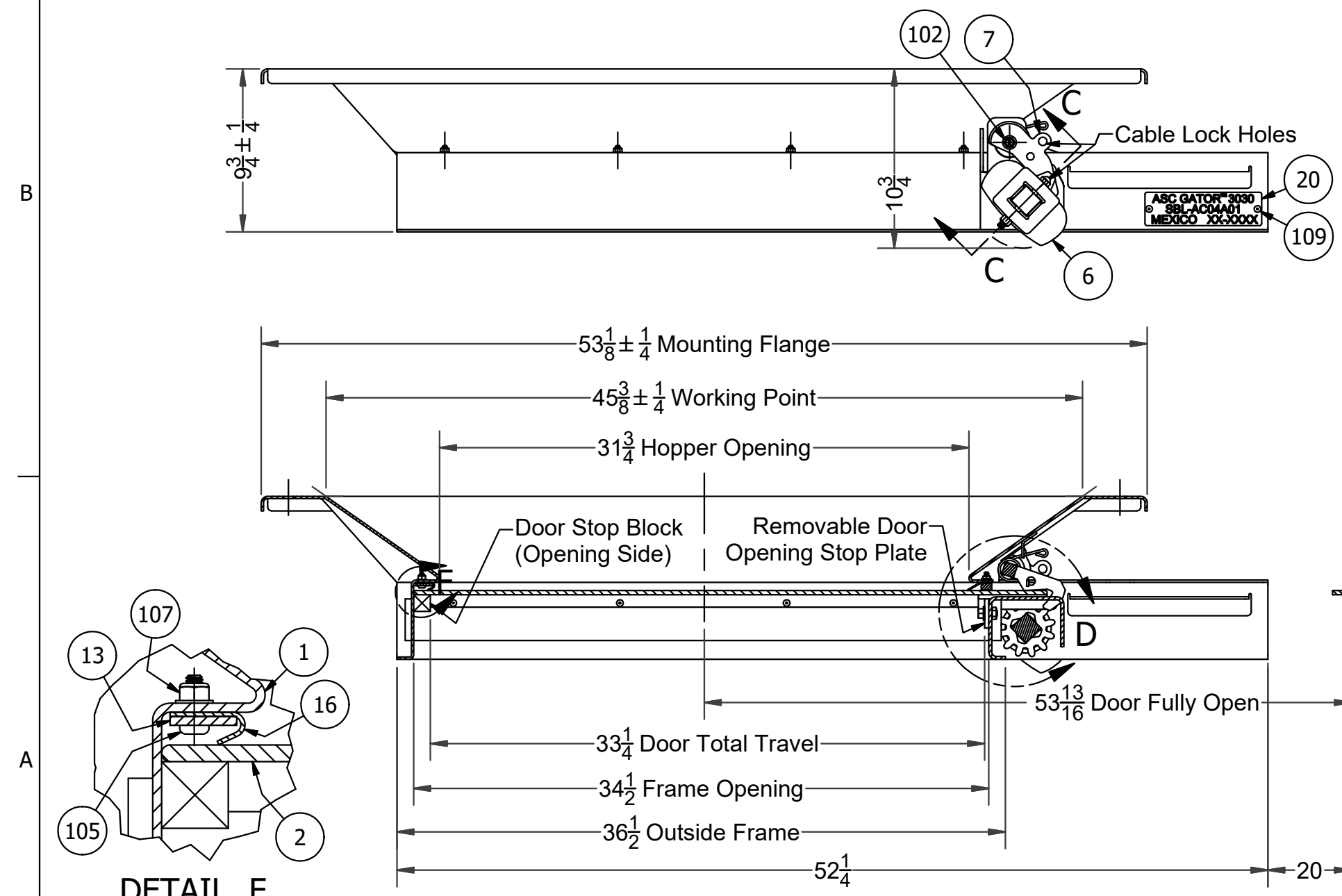


PARTS LIST			
ITEM	QTY	DESCRIPTION	PART NO
1	1	Frame Weldment	14252
2	1	Door Weldment	14265
3	1	Lock Shaft Weldment	15395
4	1	Operating Shaft	14423
5	2	Pinion	15467
6	2	Capstan	15444
7	1	Cam Follower, Left	15385
8	1	Cam Follower, Right	15396
9	1	Spring, Left Lock	16396
10	1	Spring, Right Lock	16397
11	2	Stop Plate, Opening	14989
12	1	Anti-Lift Bar, 3/8	14977
12B	1	Anti-Lift Bar, 5/16 (Optional)	14983
12C	1	Anti-Lift Bar, 3/8 (Optional)	14977
13	1	Holder, Front Seal	14706
14	2	Holder, Side Seal	14707
15	1	Seal, Back	14593
16	1	Seal, Front	14590
17	1	Seal, Right	14264
18	1	Seal, Left	14259
19	2	Glide	14257
20	1	Identification Tag - 16226	16227
101	2	Bolt, Hex, 3/8 x 3-3/4 Lg	91247A639
102	2	Bolt, Flanged, 3/8 x 1-1/4 Lg	92323A556
103	4	Bolt, Flanged, 3/8 x 3/4 Lg	92323A552
104	4	Bolt, Flat, 1/4 x 1 Lg	90920A542
105	12	Bolt, Button, 1/4 x 3/4 Lg	90910A529
106	2	Locknut, Nylon, 3/8	95615A140
107	12	Locknut, Flanged, Nylon, 1/4	93298A110
108	4	Locknut, Flanged, 1/4	99904A101
109	2	Rivet, 3/16 x 0.45 Lg	97447A050
110	8	Rivet, 3/16 x 1.2 Lg	97447A072



- Notes:**
- AAR approved under S-233 for general commodity service.
 - Refer to owners manual 16418 for detailed info.
 - Door shown fully closed & lock engaged in all views.
 - Estimated weight is 345 lbs.
 - Positional tolerance for each mounting hole is within 1/16 from basic location unless otherwise noted.

Stucki Gate Model Number Key Code							
Profile	Mounting	Gage	Prod Version	Material	Gate Color	Capstan Length	Capstan Color
S	B	L	A	C	04	A	01
Std	Bolt-On	7 & 10	1st	Steel	Voodoo Grey	12-9/16	White

This document and its contents are the property of A. Stucki Company, and may not be used or reproduced for any purpose without the prior written permission of A. Stucki Co.

A. STUCKI COMPANY
Moon Township, PA
412.424.0560 www.stucki.com

ASC GATOR 3030
SBL-AC04A01 Sales Dwg

DRAWN	DATE	CONTROL	DRAWING NUMBER	REV
JJD	08/30/21	S	16226	003